

## Spoked handwheel Ø 140

for linear actuators Ø 50

### SPECIFICATION

#### Type

- Type **R**: with revolving handle

#### Bore code

- Version **K**: with keyway

Aluminium die casting

Hub machined

Rim turned

plastic coated

black, RAL 9005, textured finish **SW**

Concentric runout and axial runout deviation of the rim < 0.4

Revolving handles GN 798.2 (see page 578)

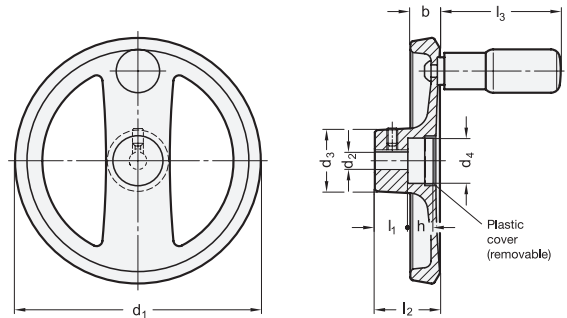
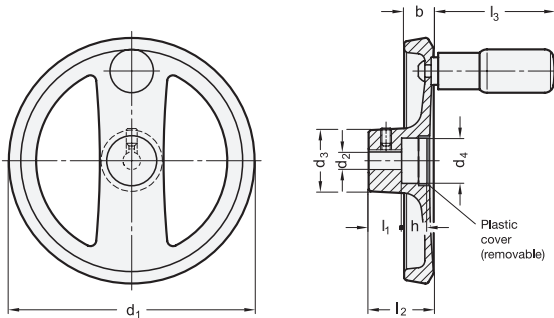
Plastic, Technopolymer

black, matt

### INFORMATION

- Linear actuators GN 291 (see pag 1912)

- Linear actuators GN 291.1 (see page 1930)



### GN 924.50

Description	d1	d2	d3	d4	b	h	l1	l2	l3 ≈	Ø Handle GN 798	⚖
GN 924.50-140-K12-R	140	12	36	28	16.5	13	19	36.5	76.5	24	410

### GN 924.60

Description	d1	d2	d3	d4	b	h	l1	l2	l3 ≈	Ø Handle GN 798	⚖
GN 924.60-160-K14-R	160	14	36	30	18	14.5	20	39.5	76.5	24	587

